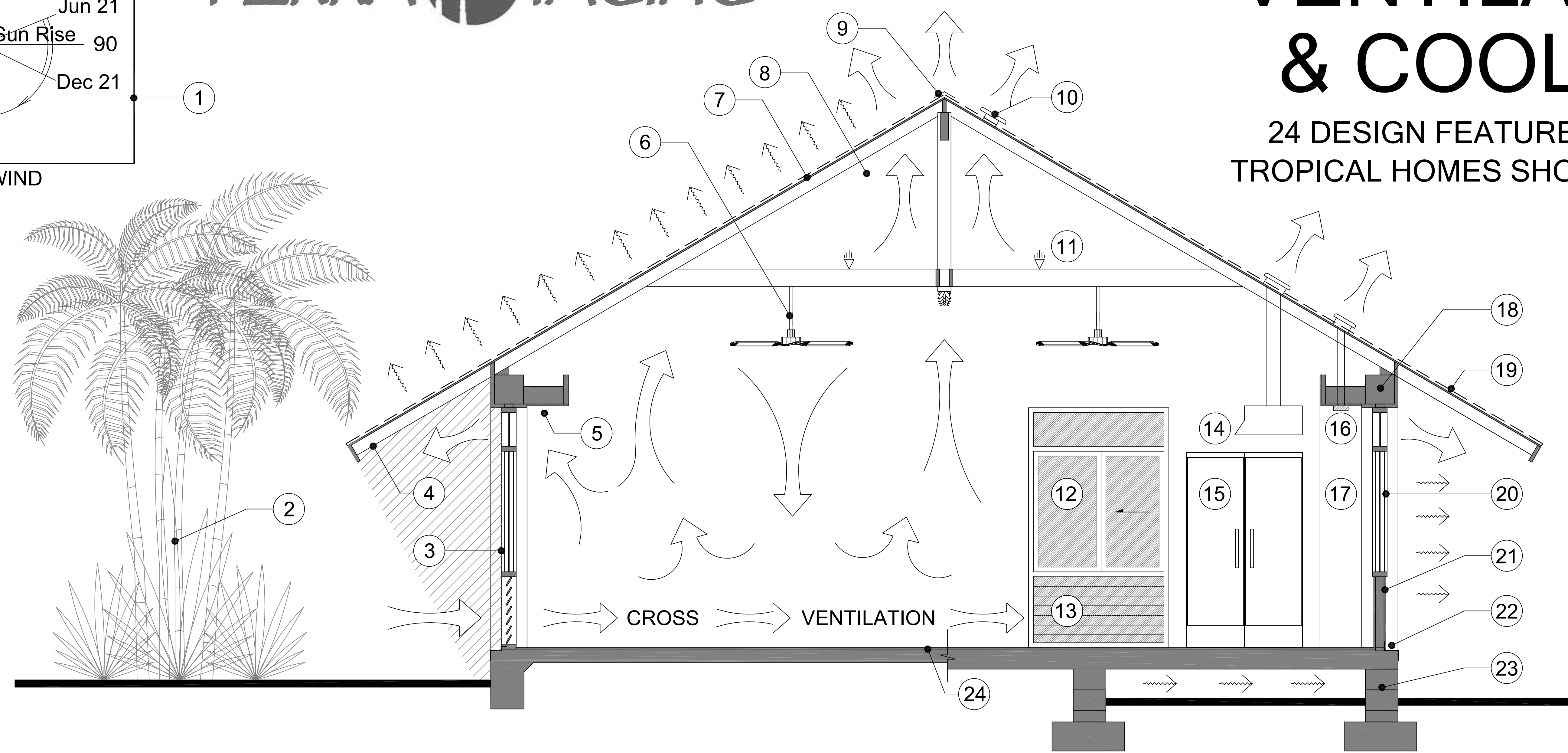


VENTILATION & COOLING

24 DESIGN FEATURES THAT ALL TROPICAL HOMES SHOULD EMPLOY



KEY CODE:

- ① ORIENT THE HOUSE FOR SUN & WIND TO MAXIMIZE VENTILATION & COOLING
- ② LANDSCAPING TO SHADE BOTH ROOF AND EXTERIOR WALLS
- ③ REFLECTIVE BARRIERS ON WALLS TO MINIMIZE EFFECT OF SOLAR RADIATION
- ④ WIDE EAVES & LOW WALLS TO MAXIMIZE NATURAL SHADING EFFECT OF ROOF
- ⑤ INTERIOR SOFFITS DEFLECT RISING HOT AIR OUT TRANSOM WINDOWS
- ⑥ ENERGY STAR (5-STAR RATED) CEILING FANS PROVIDE AIR CIRCULATION
- ⑦ REFLECTIVE BARRIER ON ROOF TO MINIMIZE EFFECT OF SOLAR RADIATION
- ⑧ HIGH PITCHED ROOF TO DRAW HOT AIR UP AND AWAY FROM INHABITANTS
- ⑨ RIDGE VENTING TO DRAW HOT AIR UP AND OUT OF THE HOME
- ⑩ HIGH C.F.M. SOLAR POWERED ROOF VENTS TO FORCE HOT AIR OUT EFFICIENTLY
- ⑪ L.E.D. BULBS FOR LOW HEAT TRANSMISSION FROM LIGHTING FIXTURES
- ⑫ ABUNDANT OPENING TRANSOMS AND WINDOWS TO MAXIMIZE VENTILATION
- ⑬ JALOUSIE WINDOWS TO MAXIMIZE CROSS-FLOW VENTILATION AND HELP FORCE HOT AIR UP
- ⑭ HIGH C.F.M. RANGE HOOD BLOWER REMOVES HOT AIR FROM KITCHEN
- ⑮ ENERGY STAR APPLIANCES, PUMPS, AND EQUIPMENT GENERATE LESS HEAT
- ⑯ BATHROOM FANS WITH HUMIDISTAT SENSORS REMOVE WARM, MOIST AIR
- ⑰ VENTED CLOSETS WITH CLOSET HEATERS REMOVE WARM, MOIST AIR
- ⑱ CONCRETE'S THERMAL MASS HELPS COOL THE HOME
- ⑲ ROOF SHINGLES WITH HIGH S.R.I. VALUE TO MINIMIZE EFFECT OF SOLAR RADIATION
- ⑳ WALL FINISH WITH HIGH S.R.I. VALUE TO MINIMIZE EFFECT OF SOLAR RADIATION
- ㉑ WINDOWS AND DOORS WITH LOW-E GLASS TO MINIMIZE EFFECT OF SOLAR RADIATION
- ㉒ WATERPROOFING AND VAPOR BARRIER TO PREVENT WATER & MOIST AIR FROM ENTERING THE HOME
- ㉓ POST & PIER FOUNDATIONS PROVIDE SUFFICIENT AIR FLOW UNDER THE HOME
- ㉔ CONCRETE FOUNDATION SEALED TO PREVENT MOISTURE FROM ENTERING THE HOME